

NUREVA HDL300 / HDL310 SOUNDBAR HOLDER

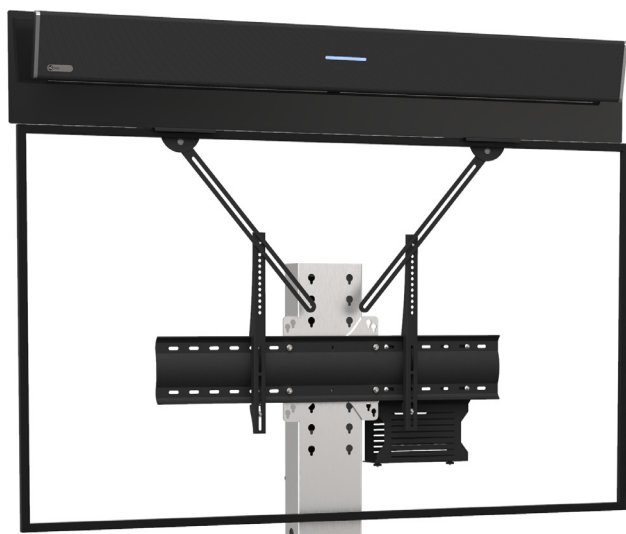


MANUFACTURERS' ACCESSORIES

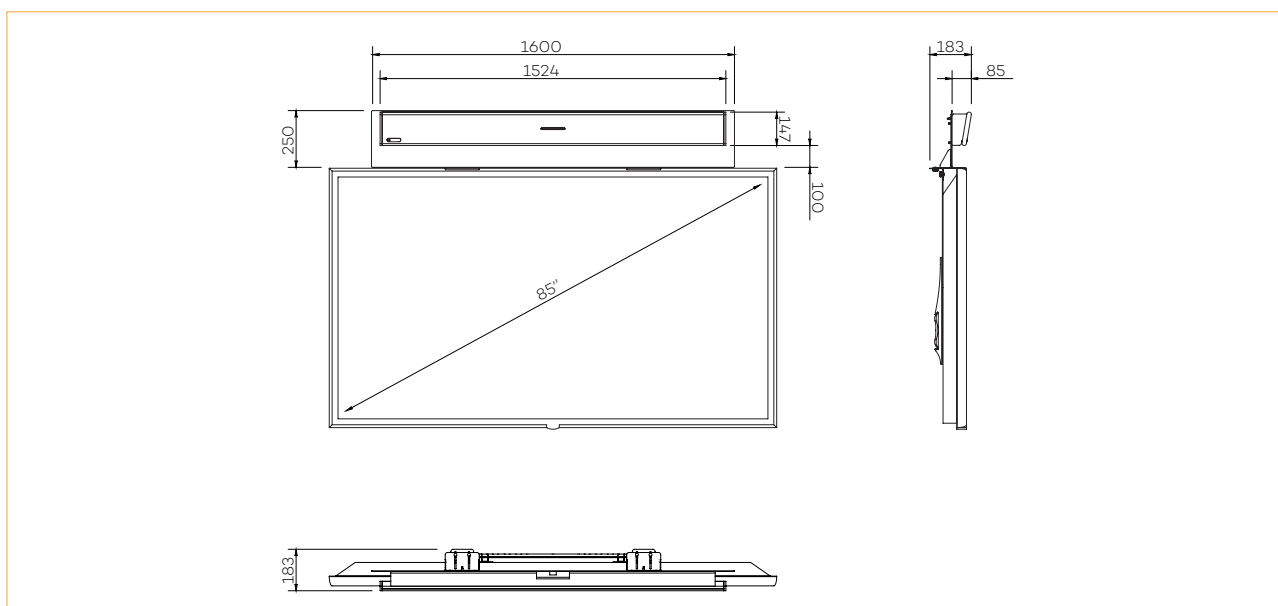
Installation : above the screen

Finish : black
(white finish on request)

Part number :
ADT_R2NUREVA_HDL300



Screen simulation 65"



CARACTÉRISTIQUES

	Nureva HDL300 / HDL310 holder
Part number	ADT_R2NUREVA_HDL300
Material	Fixations en acier peint noir et réfracteur de son en plexiglass
Installation	Above the screen Attached to the VESA screen
Sound refractor rear panel dimensions (w x d x h)	1600 x 3 x 250 mm
Holder weight	4,2 kg
Included	<ul style="list-style-type: none"> • Sound refractor rear panel • Flat angled brackets • 500 mm mounting strips • Mounting screws
Certification	Restricted Materials conformity certificate (North America) delivered by CLAIGAN ENVIRONMENTAL Inc. May 2023 for all parts