

EKINOX XL DUAL SCREEN

For two 70 to 75-inch screens



VIDEOCONFERENCING

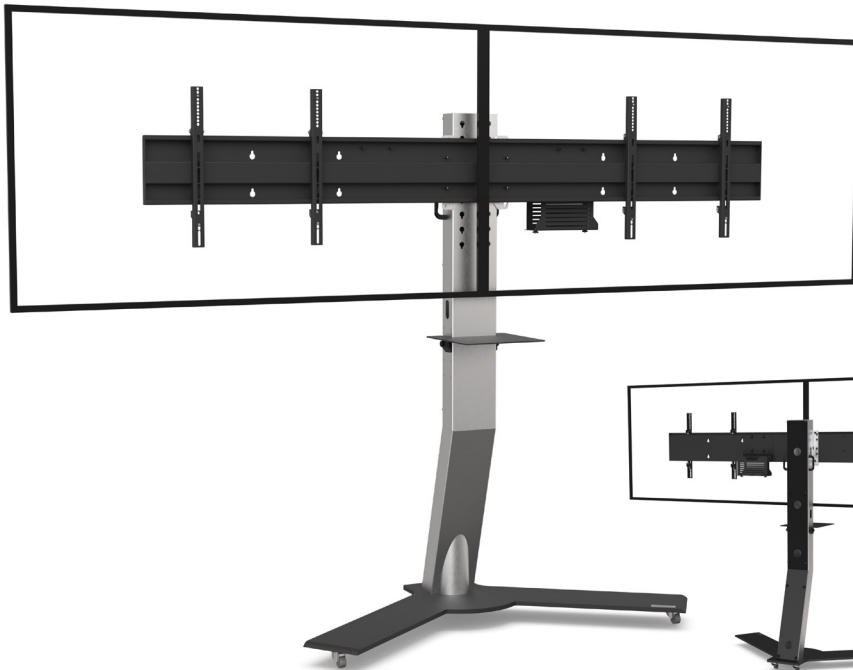
Number of screen : 2 screens

Screen size : 70 to 75"

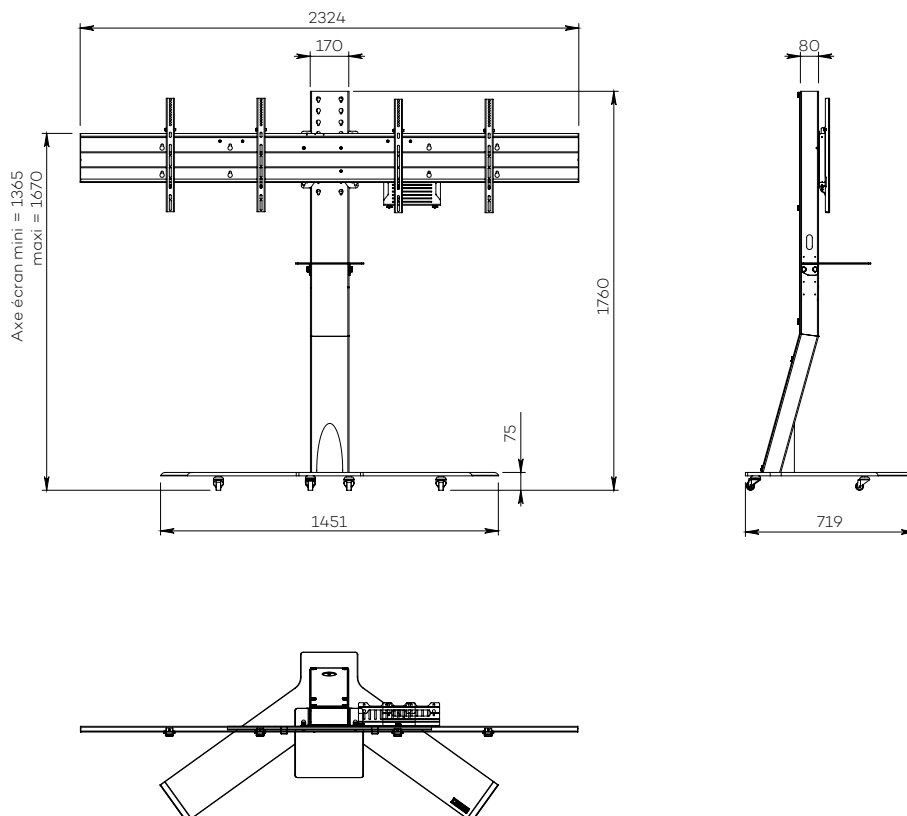
Installation : on casters

Finish : black and brushed stainless steel

Part number :
EKINOXD7075VCPACK



70" screen simulation



● SPECIFICATIONS

Screen size	For two 70 to 75" screens
Part number	EKINOXD7075VCPACK
Base	Black painted steel
Base thickness	15 mm
Casters / Teflon pads	On casters (ø 35 mm pre-assembled)
Base dimensions (w x d x h)	1451 x 750 x 75 mm
Column	Brushed stainless steel
Column back cover	Back in black eco-friendly plexiglass, easy access
Column dimensions (w x d x h)	170 x 80 x 1680 mm
Screen fixing	Black painted steel with fixing kit
Screen fixing size (VESA)	200 x 200 mm to 800 x 400 mm VESA For a 75" screen : 200 x 200 mm to 400 x 400 mm VESA
Screen axis height	1365 mm to 1670 mm
Max. screen weight	40 kg/screen
Camera shelf with adjustable height	885 mm to 1050 mm 4 positions with 55 mm increments
Stand weight	111 kg
Accessories included (VC PACK)	<ul style="list-style-type: none"> • Camera shelf (AX0011) Dimensions (w x d) : 300 mm (l) x 230 mm (p) • Universal codec holder (SCUV12) Depth from 10 mm to 95 mm

● OPTIONS

Large shelf Dimensions (w x d) : 450 mm x 300 mm	P/N: AX0012
Brushed stainless steel & white finish Column in brushed stainless steel Base, back and camera shelf in white	P/N: /WHITE
Full white finish Base, column, back and camera shelf in white	P/N: /FULLWHITE
Full black finish Base, column, back and camera shelf in black	P/N: /FULLBLACK
Base on Teflon pads	P/N: Teflon pads
Universal camera holder Above the screen (attached to the VESA screen with 340 mm strips)	P/N: SCUV3
SCUV3 option Adaptor to attach the SCUV3 between two screens	P/N: SCUV3_2
VESA bar extension For 75" screen with VESA 600 x 400 mm	P/N: on request