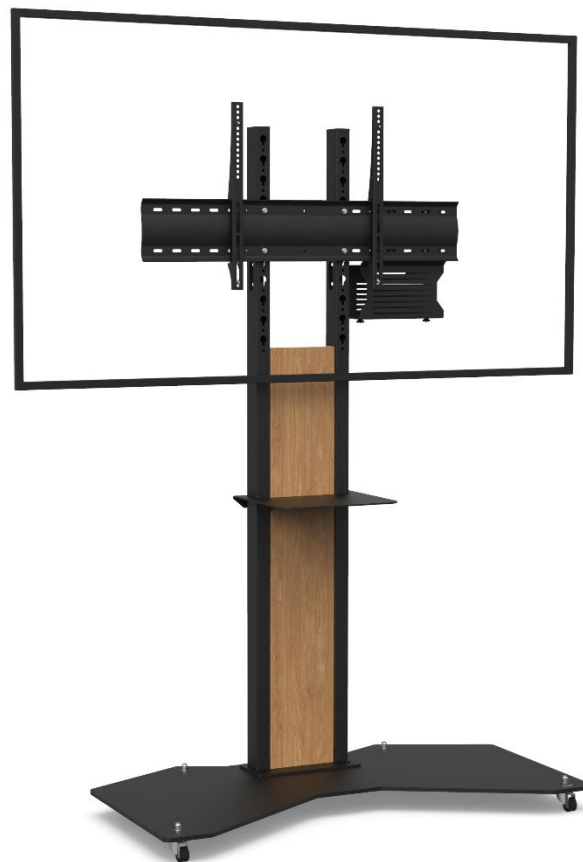


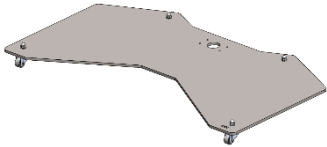






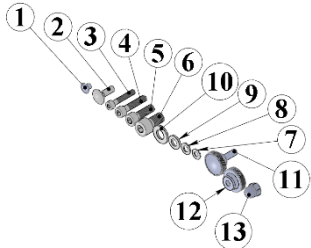
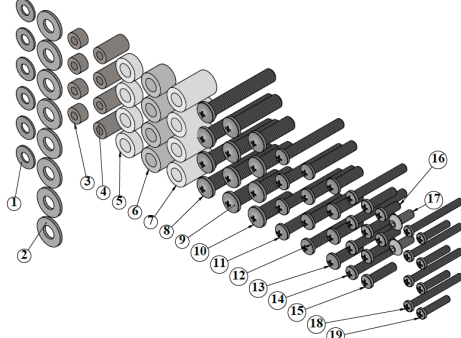
## *Notice de montage / Assembly instructions*

*OBOX XL simple écran / OBOX XL single screen*

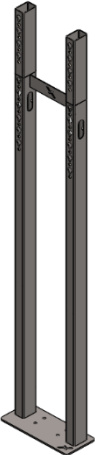
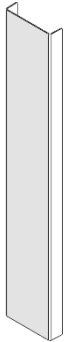




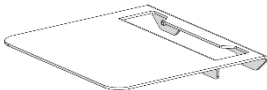
## Composition / Packing list :

- Colis N°1 : socle + accessoires  
Package N°1 : base + accessories

<p>Socle avec roulettes <i>Base with casters</i></p>																																																																																	
<p>1 barre VESA <i>1 VESA bar</i></p>																																																																																	
<p>Paire de fixations fixes <i>Mounting brackets</i></p>																																																																																	
<p>Une multiprise <i>(unavailable for UK/DE)</i></p>																																																																																	
<p>6 x embases autoadhésives serre câbles <i>6 Self-adhesive cable ties</i></p>																																																																																	
<p>8 Colliers de serrage <i>8 plastic clamps</i></p>																																																																																	
<p>Un jeu de clés <i>Allen key set</i></p>																																																																																	
<p>Un kit visserie meuble <i>Bolting kit (furniture)</i></p>	 <table border="1" data-bbox="1109 1299 1276 1579"> <thead> <tr> <th>Rep</th> <th>Qté</th> <th>Désignation</th> </tr> </thead> <tbody> <tr><td>1</td><td>16</td><td>Bouchon M5</td></tr> <tr><td>2</td><td>4</td><td>Vis japy M5x15</td></tr> <tr><td>3</td><td>2</td><td>Vis CHC M4x25</td></tr> <tr><td>4</td><td>2</td><td>Vis CHC M5x25</td></tr> <tr><td>5</td><td>12</td><td>Vis CHC M6x20</td></tr> <tr><td>6</td><td>6</td><td>Vis CHC M8x16</td></tr> <tr><td>7</td><td>2</td><td>Rondelle plate M4</td></tr> <tr><td>8</td><td>2</td><td>Rondelle plate M5</td></tr> <tr><td>9</td><td>12</td><td>Rondelle plate M6</td></tr> <tr><td>10</td><td>6</td><td>Rondelle plate M8</td></tr> <tr><td>11</td><td>8</td><td>Vis molette M5</td></tr> <tr><td>12</td><td>4</td><td>Ecrou molette M5</td></tr> <tr><td>13</td><td>4</td><td>Ecrou borgne M6</td></tr> </tbody> </table>	Rep	Qté	Désignation	1	16	Bouchon M5	2	4	Vis japy M5x15	3	2	Vis CHC M4x25	4	2	Vis CHC M5x25	5	12	Vis CHC M6x20	6	6	Vis CHC M8x16	7	2	Rondelle plate M4	8	2	Rondelle plate M5	9	12	Rondelle plate M6	10	6	Rondelle plate M8	11	8	Vis molette M5	12	4	Ecrou molette M5	13	4	Ecrou borgne M6																																						
Rep	Qté	Désignation																																																																															
1	16	Bouchon M5																																																																															
2	4	Vis japy M5x15																																																																															
3	2	Vis CHC M4x25																																																																															
4	2	Vis CHC M5x25																																																																															
5	12	Vis CHC M6x20																																																																															
6	6	Vis CHC M8x16																																																																															
7	2	Rondelle plate M4																																																																															
8	2	Rondelle plate M5																																																																															
9	12	Rondelle plate M6																																																																															
10	6	Rondelle plate M8																																																																															
11	8	Vis molette M5																																																																															
12	4	Ecrou molette M5																																																																															
13	4	Ecrou borgne M6																																																																															
<p>Kit visserie écran <i>Bolting kit (screens)</i></p>	 <table border="1" data-bbox="1149 1601 1380 1814"> <thead> <tr> <th>Rep</th> <th>Qté</th> <th>Désignation</th> <th>Désignation</th> </tr> </thead> <tbody> <tr><td>1</td><td>6</td><td>Rondelle M6</td><td>Washer M6</td></tr> <tr><td>2</td><td>8</td><td>Rondelle plate M8</td><td>Washer M8</td></tr> <tr><td>3</td><td>4</td><td>Entretoise Ø10xØ5 lg 6</td><td>Spacer Ø10xØ5 lg 6</td></tr> <tr><td>4</td><td>4</td><td>Entretoise Ø10xØ5 lg 18</td><td>Spacer Ø10xØ5 lg 18</td></tr> <tr><td>5</td><td>4</td><td>Entretoise Ø15xØ8,4 lg 6,3</td><td>Spacer Ø15xØ8,4 lg 6,3</td></tr> <tr><td>6</td><td>4</td><td>Entretoise Ø15xØ8,4 lg 12</td><td>Spacer Ø15xØ8,4 lg 12</td></tr> <tr><td>7</td><td>4</td><td>Entretoise Ø15xØ8,4 lg 24</td><td>Spacer Ø15xØ8,4 lg 24</td></tr> <tr><td>8</td><td>4</td><td>Vis cruciforme M6x20</td><td>Cross-headed screw M6x20</td></tr> <tr><td>9</td><td>4</td><td>Vis cruciforme M8x15</td><td>Cross-headed screw M8x15</td></tr> <tr><td>10</td><td>4</td><td>Vis cruciforme M8x25</td><td>Cross-headed screw M8x25</td></tr> <tr><td>11</td><td>4</td><td>Vis cruciforme M6x15</td><td>Cross-headed screw M6x15</td></tr> <tr><td>12</td><td>4</td><td>Vis cruciforme M6x15</td><td>Cross-headed screw M6x15</td></tr> <tr><td>13</td><td>4</td><td>Vis cruciforme M8x20</td><td>Cross-headed screw M8x20</td></tr> <tr><td>14</td><td>4</td><td>Vis cruciforme M6x20</td><td>Cross-headed screw M6x20</td></tr> <tr><td>15</td><td>4</td><td>Vis cruciforme M6x20</td><td>Cross-headed screw M6x20</td></tr> <tr><td>16</td><td>2</td><td>Vis cruciforme M8x12</td><td>Cross-headed screw M8x12</td></tr> <tr><td>17</td><td>2</td><td>Vis CRB M5x12</td><td>Screw CRB M5x12</td></tr> <tr><td>18</td><td>4</td><td>Vis cruciforme M4x40</td><td>Cross-headed screw M4x40</td></tr> <tr><td>19</td><td>4</td><td>Vis cruciforme M4x20</td><td>Cross-headed screw M4x20</td></tr> </tbody> </table>	Rep	Qté	Désignation	Désignation	1	6	Rondelle M6	Washer M6	2	8	Rondelle plate M8	Washer M8	3	4	Entretoise Ø10xØ5 lg 6	Spacer Ø10xØ5 lg 6	4	4	Entretoise Ø10xØ5 lg 18	Spacer Ø10xØ5 lg 18	5	4	Entretoise Ø15xØ8,4 lg 6,3	Spacer Ø15xØ8,4 lg 6,3	6	4	Entretoise Ø15xØ8,4 lg 12	Spacer Ø15xØ8,4 lg 12	7	4	Entretoise Ø15xØ8,4 lg 24	Spacer Ø15xØ8,4 lg 24	8	4	Vis cruciforme M6x20	Cross-headed screw M6x20	9	4	Vis cruciforme M8x15	Cross-headed screw M8x15	10	4	Vis cruciforme M8x25	Cross-headed screw M8x25	11	4	Vis cruciforme M6x15	Cross-headed screw M6x15	12	4	Vis cruciforme M6x15	Cross-headed screw M6x15	13	4	Vis cruciforme M8x20	Cross-headed screw M8x20	14	4	Vis cruciforme M6x20	Cross-headed screw M6x20	15	4	Vis cruciforme M6x20	Cross-headed screw M6x20	16	2	Vis cruciforme M8x12	Cross-headed screw M8x12	17	2	Vis CRB M5x12	Screw CRB M5x12	18	4	Vis cruciforme M4x40	Cross-headed screw M4x40	19	4	Vis cruciforme M4x20	Cross-headed screw M4x20
Rep	Qté	Désignation	Désignation																																																																														
1	6	Rondelle M6	Washer M6																																																																														
2	8	Rondelle plate M8	Washer M8																																																																														
3	4	Entretoise Ø10xØ5 lg 6	Spacer Ø10xØ5 lg 6																																																																														
4	4	Entretoise Ø10xØ5 lg 18	Spacer Ø10xØ5 lg 18																																																																														
5	4	Entretoise Ø15xØ8,4 lg 6,3	Spacer Ø15xØ8,4 lg 6,3																																																																														
6	4	Entretoise Ø15xØ8,4 lg 12	Spacer Ø15xØ8,4 lg 12																																																																														
7	4	Entretoise Ø15xØ8,4 lg 24	Spacer Ø15xØ8,4 lg 24																																																																														
8	4	Vis cruciforme M6x20	Cross-headed screw M6x20																																																																														
9	4	Vis cruciforme M8x15	Cross-headed screw M8x15																																																																														
10	4	Vis cruciforme M8x25	Cross-headed screw M8x25																																																																														
11	4	Vis cruciforme M6x15	Cross-headed screw M6x15																																																																														
12	4	Vis cruciforme M6x15	Cross-headed screw M6x15																																																																														
13	4	Vis cruciforme M8x20	Cross-headed screw M8x20																																																																														
14	4	Vis cruciforme M6x20	Cross-headed screw M6x20																																																																														
15	4	Vis cruciforme M6x20	Cross-headed screw M6x20																																																																														
16	2	Vis cruciforme M8x12	Cross-headed screw M8x12																																																																														
17	2	Vis CRB M5x12	Screw CRB M5x12																																																																														
18	4	Vis cruciforme M4x40	Cross-headed screw M4x40																																																																														
19	4	Vis cruciforme M4x20	Cross-headed screw M4x20																																																																														
<p>Notice de montage <i>Assembly instruction</i></p>																																																																																	

- Colis N°2 :  
Package N°2 :

Colonne <i>Column</i>	Plaque en plexiglass <i>Plexiglass plate</i>	2 bouchons <i>2 caps</i>
		

<b>OPTIONS</b>		
<i>Un support codec</i> <i>Codec holder</i>	SCUV12	
<i>Une tablette petit format</i> <i>Small shelf</i>	AX1077	

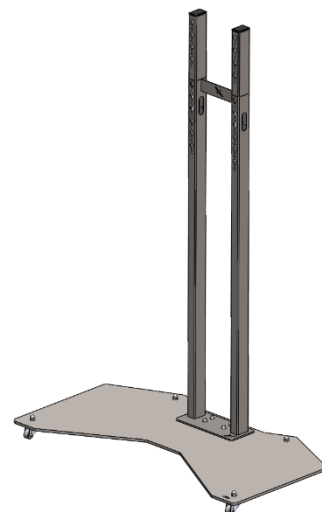
## NOTICE DE MONTAGE / ASSEMBLY INSTRUCTIONS

### **Etape 1 :**

- Monter la colonne sur le socle  
(4 vis CHC M8x16 + 4 rondelles M8)

### **Step 1 :**

- Fix the column to the base  
(4 CHC M8x16 screws + 4 M8 washers)

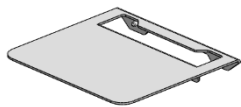
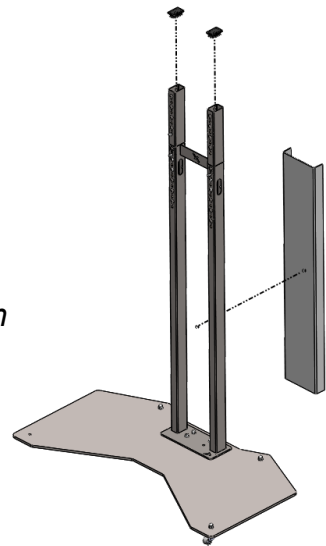


## Etape 2 :

- Monter le plexiglass entre les 2 tubes
- Emmancher les 2 bouchons

## Step 2 :

- *Fit the plexiglass plate between the two tubes of the column*
- *Fit the 2 caps*

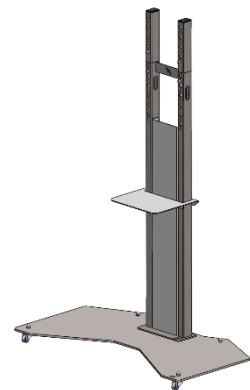
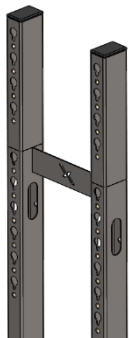


## Etape 3 : (option tablette petit format)

- Monter la tablette petit format sur la colonne  
(2 vis moletées M6)

## Step 3 :

- *Thread the small shelf on the column*  
(2 knurled screws M6)

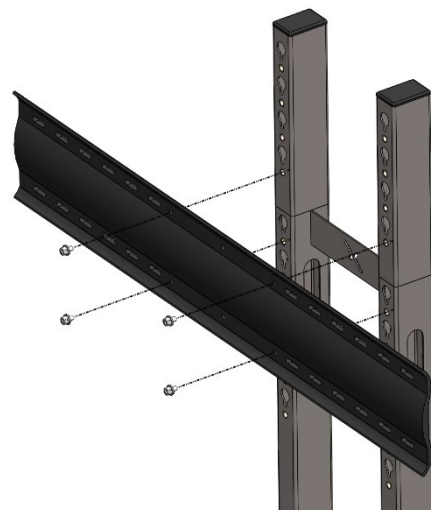


## Etape 4 :

- Monter la barre VESA sur la colonne  
(4 vis CHC M6x16 + 4 rondelles M6)

## Step 4 :

- *Fix the VESA bar on the column*  
(4 CHC M6x16 + 4 washers M6)

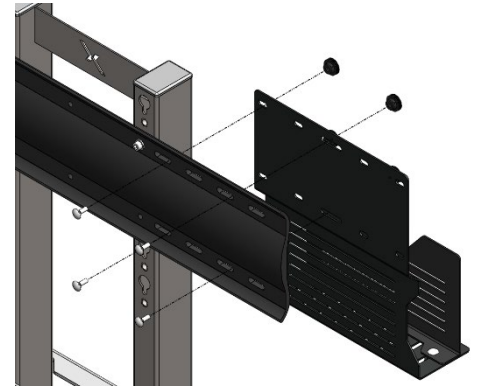


## **Etape 5 :** (option support codec)

- Monter le support codec derrière la barre VESA  
(4 vis tête bombée carré M5x20 + 4 écrous moletés M5)

## **Step 5 :** (codec holder option)

- *Fix the codec holder behind the VESA bar  
(4 Screws CBHC M5x20 + 4 Knurled screws M5)*

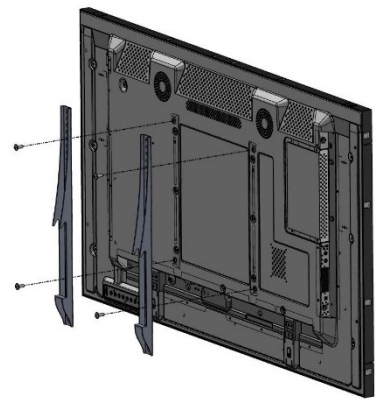


## **Etape 6 :**

- Monter la paire de fixation sur l'écran  
(vis fournies dans le kit visserie écran)

## **Step 6 :**

- *Fit the mounting brackets on the screen  
(screws provided in the bolting kit)*

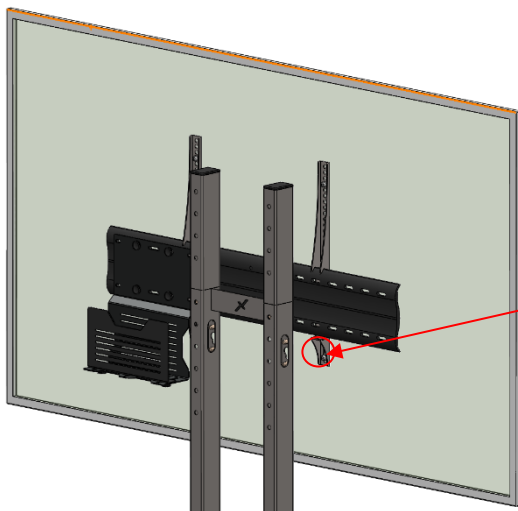


## Etape 7 :

- Monter l'écran sur la barre VESA
- Sécuriser l'écran (vis fournies dans le kit visserie écran)

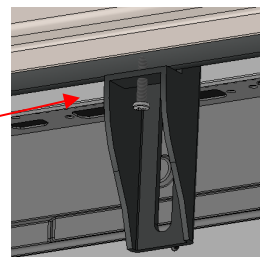
## Step 7 :

- *Fix the screen on the VESA bar*
- *Secure the screen screws provided in the bolting kit)*



### **Warning :**

Tightening just in contact.  
Do not tighten too hard



### **Attention :**

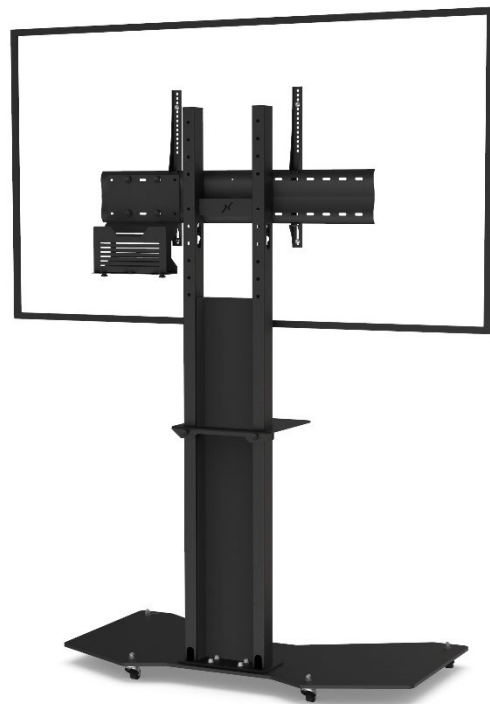
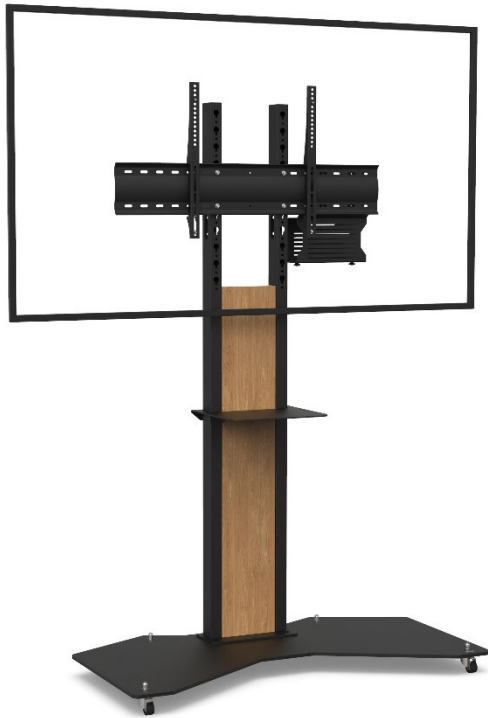
Serrage juste en contact.  
Ne pas serrer trop fort

## Etape 8 :

- Procéder au câblage

## Step 8 :

- *Proceed with cabling*



**Le montage de votre OBOX XL est terminé !**

***Your OBOX XL is ready !***